

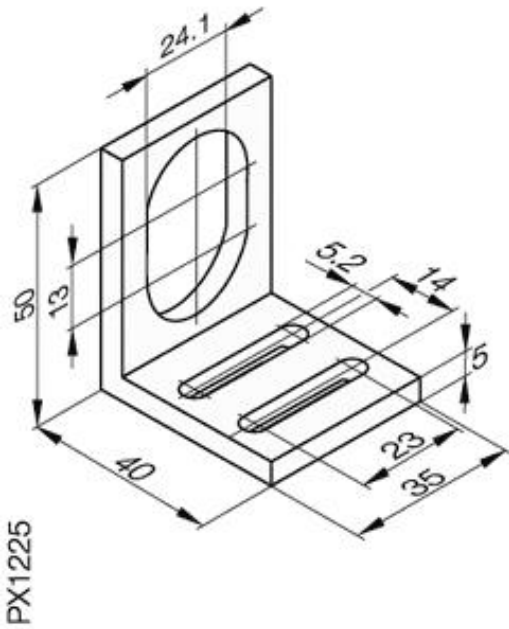
## Accessories: Mounting unit BES 24-HW-1

### Common Data

Version angle bracket  
Usable with angle bracket for sensors M24

### Mechanical Data

Measurements W x H x D or Dia x D 35x40x50  
Material Aluminium  
Mounting with 2 screws M5



Datasheet number::

Definitions see general catalog.  
If not otherwise noted, ratings according to  
IEC 60947-5-2 (DIN EN60947-5-2)

Balluff GmbH  
Schurwaldstrasse 9  
73765 Neuhausen a.d.F.  
Phone (07158) 173-0 Fax (07158) 5010

Datenblatt by CD-ROM - 04/2007

**BALLUFF**  
sensors worldwide